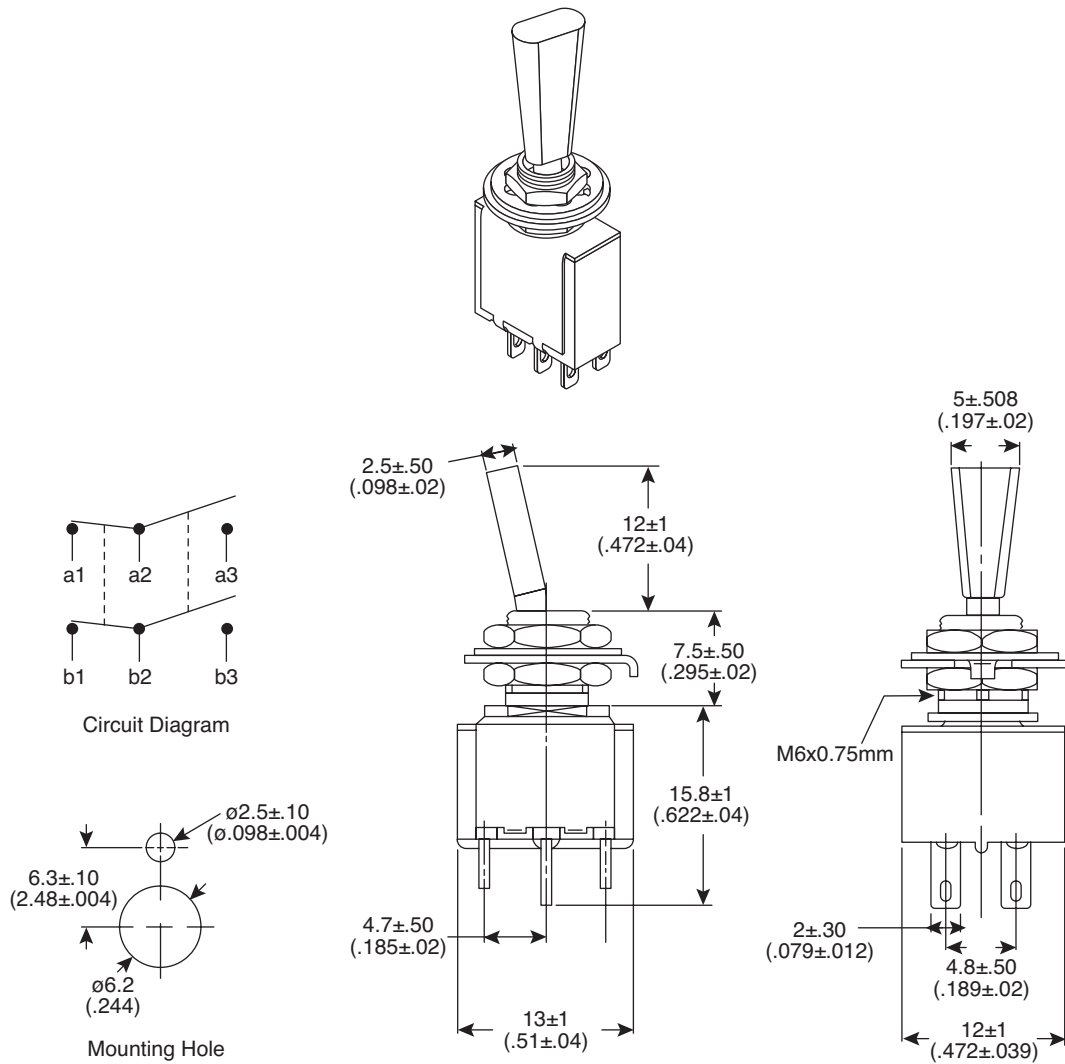


Dimensions: mm (in.)



**Electrical Specifications:**

- Rating: 6A/125VAC, 3A/250VAC
- Contact resistance: 50mΩ max
- Insulation resistance: 500VDC 100MΩ min
- Dielectric Strength: 1000VAC for 1 minute

**Mechanical Specifications:**

- Operating temperature: -20°C ~ +65°C
- Circuit: 6P DPDT on-on

**Note:**

- RoHS Compliant by Exemption

**Miniature Toggle Switch**  
1055-TA2160B-EVX

